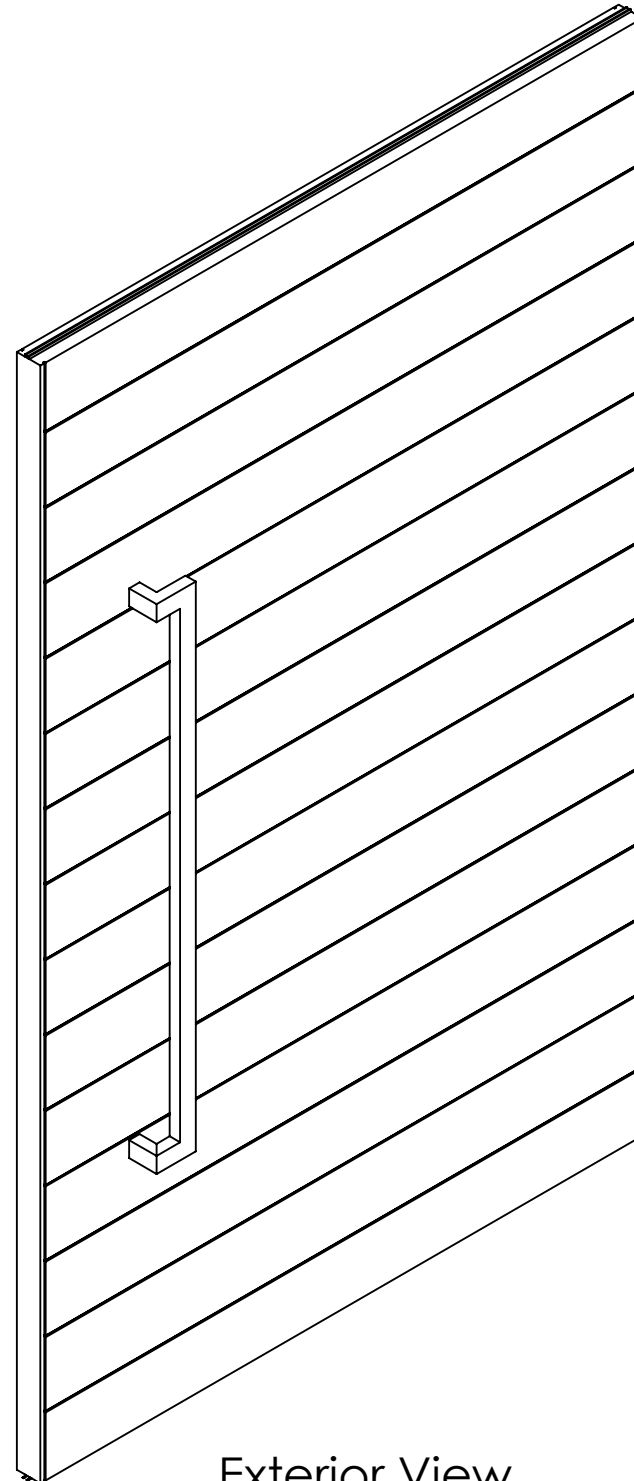
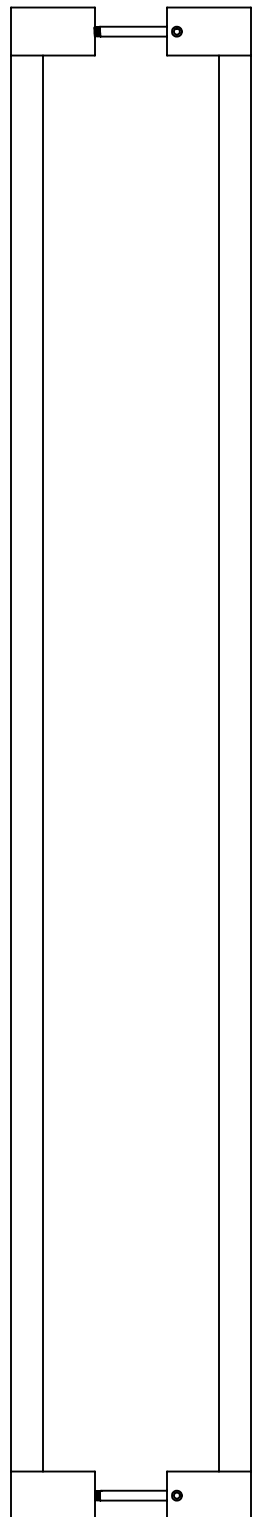


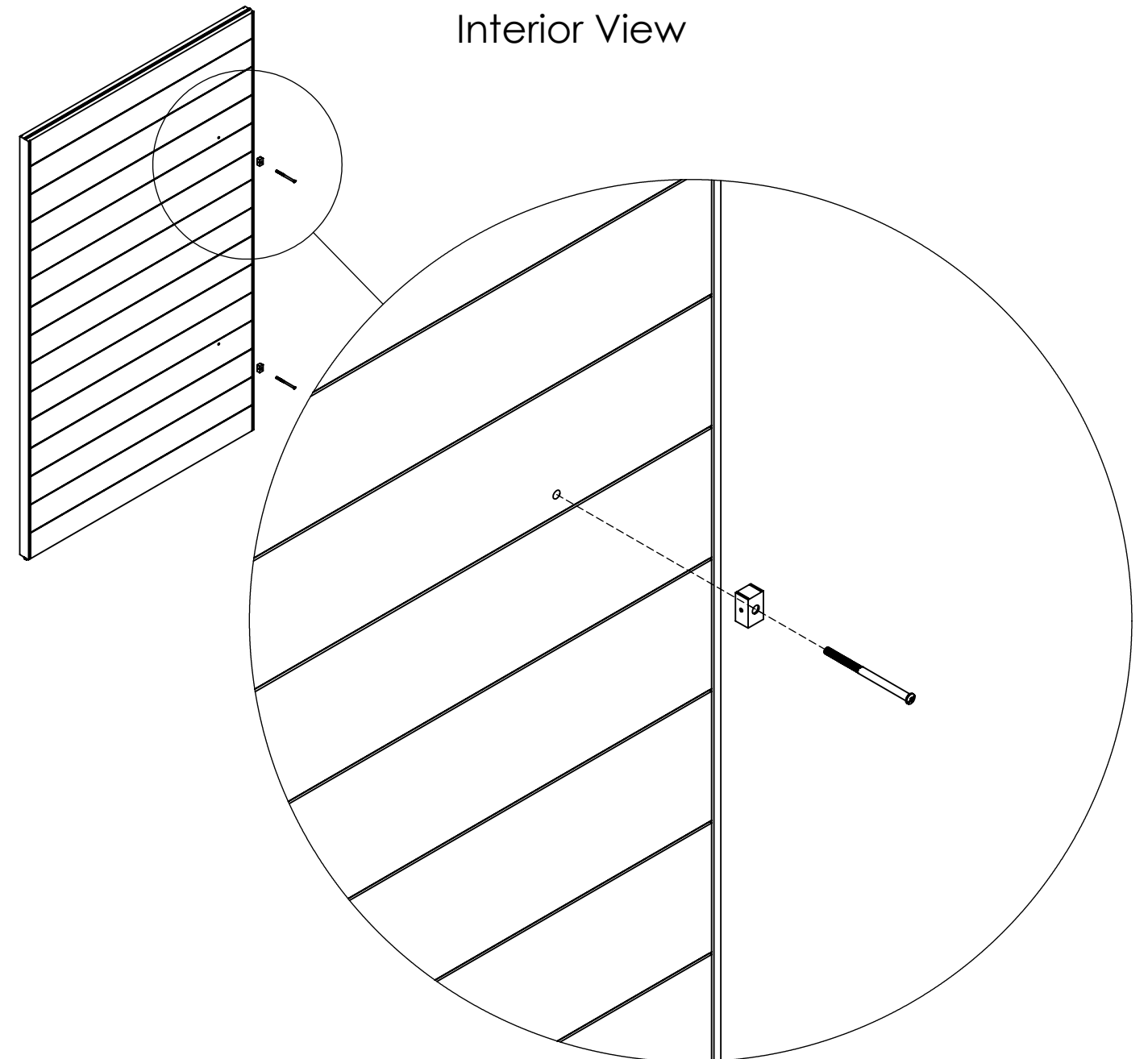
Offset Square Pull Bar 7929 Installation Instructions

Step 1: Locate desired handle position on door.



Exterior View

Step 2: Drill 3/8" Holes in desired location. Insert the bolts through the brass collars, then into holes.



Interior View



Offset Square Pull Bar 7929 Installation Instructions

Step 3: Fasten hardware to exterior handle piece, making sure hardware is in the correct order and orientation. (White plastic washers for glass applications only, discard if not used.)

Step 4: Attach interior handle piece using set screws. (White plastic washers for glass applications only, discard if not used)

