

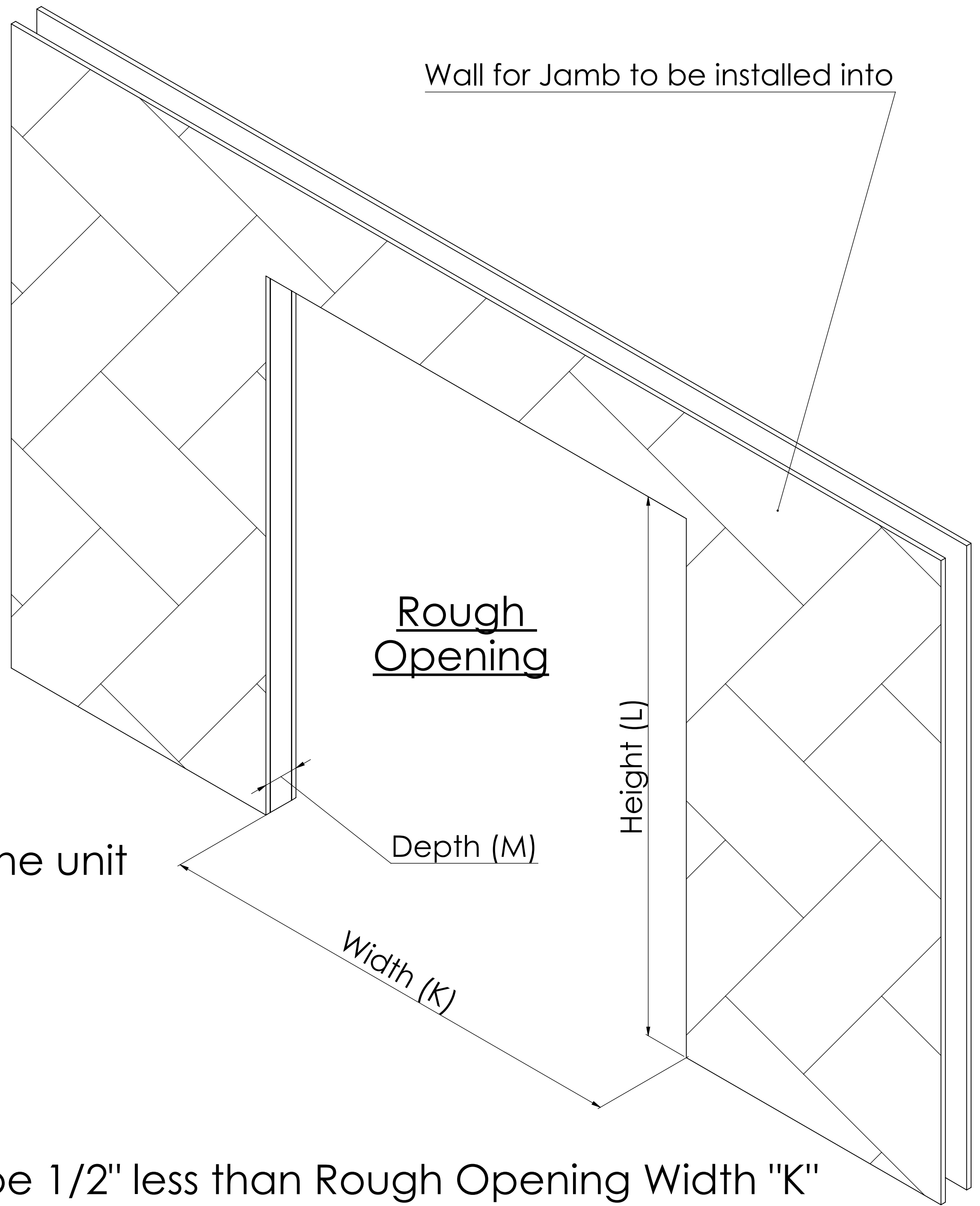
# Measuring Guide

When finished, email to [sales@pivotdoorcompany.com](mailto:sales@pivotdoorcompany.com)

**Step 1.**  
Find the sizes of your rough opening.  
This will determine the net frame size of the unit

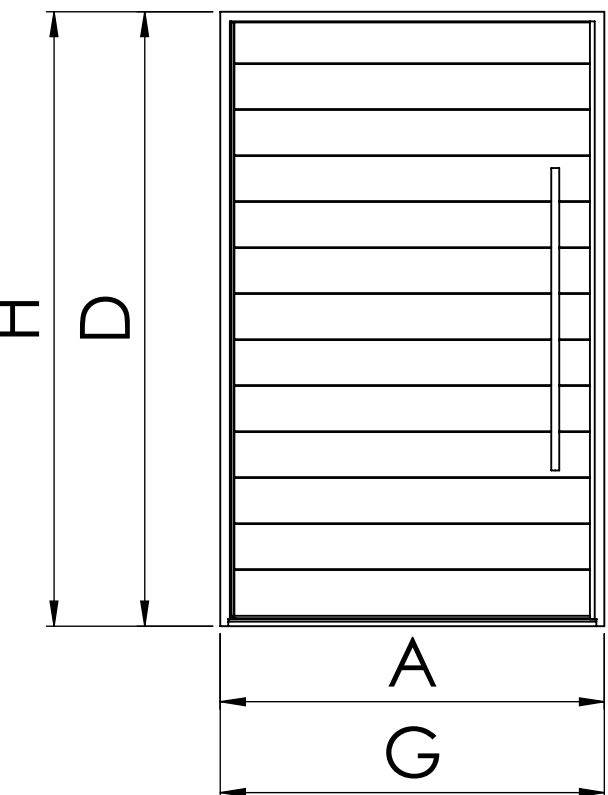
Rough Opening Width (K): \_\_\_\_\_  
 Rough Opening Height (L): \_\_\_\_\_  
 Rough Opening Depth (M): \_\_\_\_\_

Total Unit Width "G" \_\_\_\_\_ Should be 1/2" less than Rough Opening Width "K"  
 Total Unit Height "H" \_\_\_\_\_ Should be 1/2" less than Rough Opening Height "L"



## Step 2.

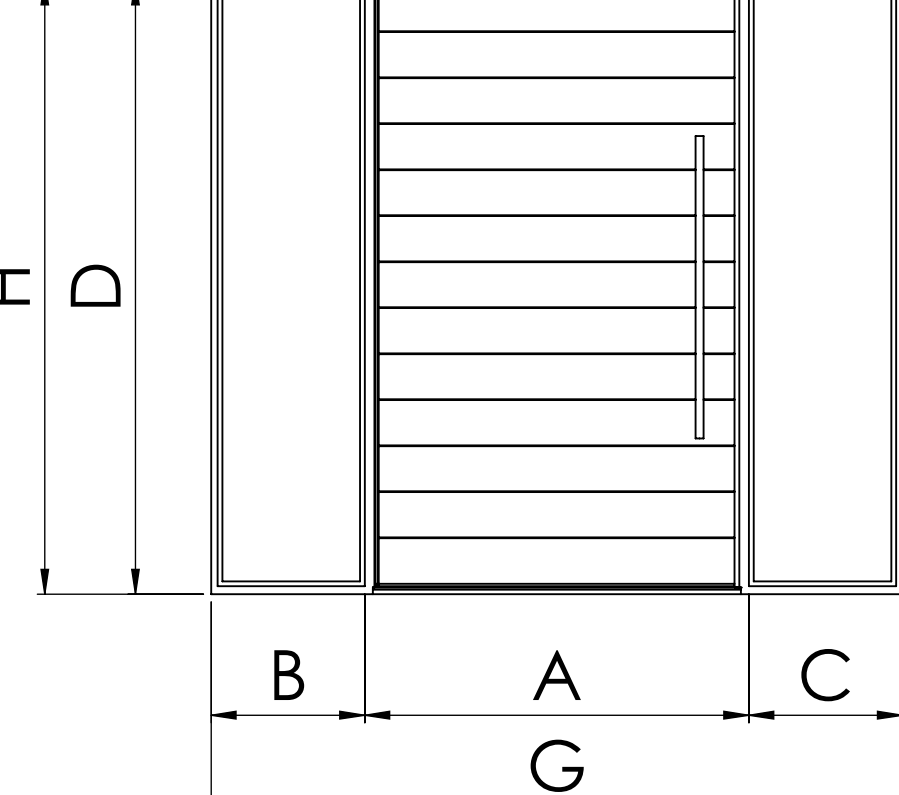
Choose your unit type and calculate door/sidelight sizes.



**Single**

Total Unit Width "G" = "A" \_\_\_\_\_

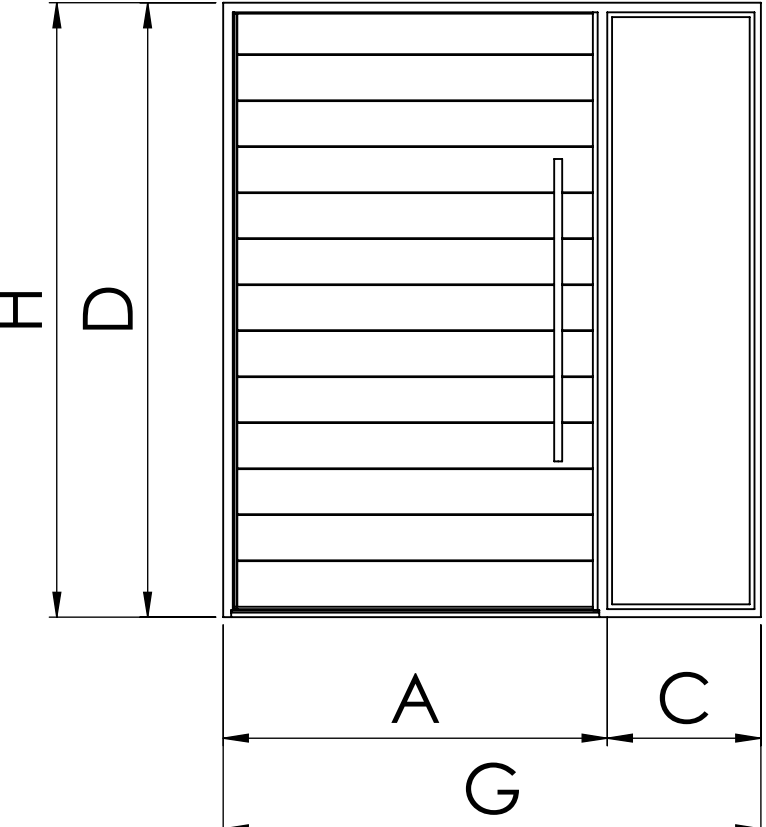
Total Unit Height "H" = "D" \_\_\_\_\_



**Double Sidelights**

Total Unit Width "G" = "A" \_\_\_\_\_ + "B" \_\_\_\_\_ + "C" \_\_\_\_\_

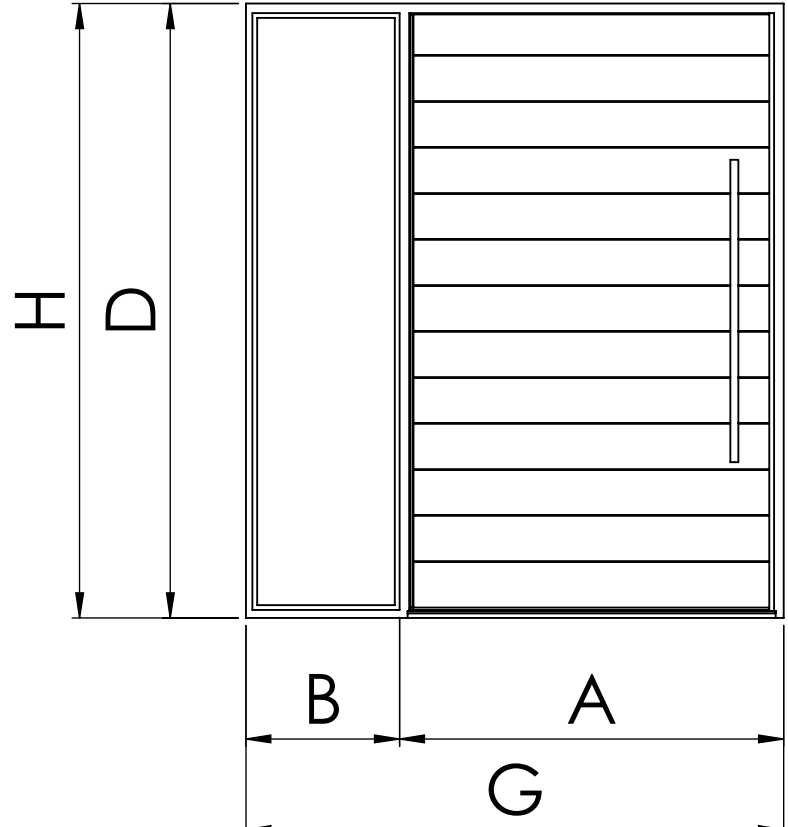
Total Unit Height "H" = "D" \_\_\_\_\_



**Right Sidelight**

Total Unit Width "G" = "A" \_\_\_\_\_ + "C" \_\_\_\_\_

Total Unit Height "H" = "D" \_\_\_\_\_



**Left Sidelight**

Total Unit Width "G" = "A" \_\_\_\_\_ + "B" \_\_\_\_\_

Total Unit Height "H" = "D" \_\_\_\_\_

Rough Opening Width (K): \_\_\_\_\_ Rough Opening Height (L): \_\_\_\_\_

Rough Opening Depth (M): \_\_\_\_\_

Total Unit Width "G" \_\_\_\_\_ Total Unit Height "H" \_\_\_\_\_

Copy From Previous Page

## Step 2. (Continued)

Choose your unit type and calculate door/sidelight sizes.

### Transom

Total Unit Width "G" = "A" \_\_\_\_\_

Total Unit Height "H" = "D" \_\_\_\_\_ + "E" \_\_\_\_\_

### Double Sidelight and Transom

Total Unit Width "G" = "A" \_\_\_\_\_ + "B" \_\_\_\_\_ + "C" \_\_\_\_\_

Total Unit Height "H" = "D" \_\_\_\_\_ + "E" \_\_\_\_\_

### Transom w/Left Sidelight

Total Unit Width "G" = "A" \_\_\_\_\_ + "B" \_\_\_\_\_

Total Unit Height "H" = "D" \_\_\_\_\_ + "E" \_\_\_\_\_

### Transom w/Right Sidelight

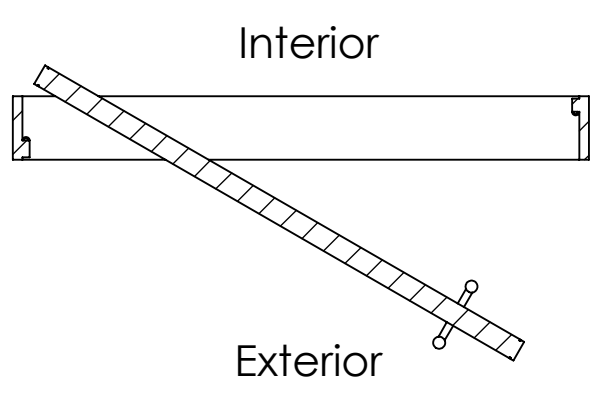
Total Unit Width "G" = "A" \_\_\_\_\_ + "C" \_\_\_\_\_

Total Unit Height "H" = "D" \_\_\_\_\_ + "E" \_\_\_\_\_

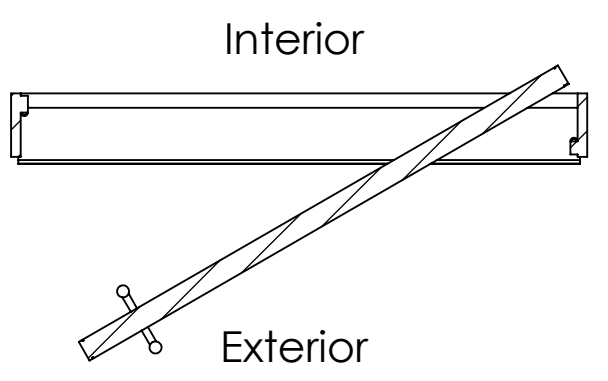
Rough Opening Width (K): \_\_\_\_\_ Rough Opening Height (L): \_\_\_\_\_  
 Rough Opening Depth (M): \_\_\_\_\_  
 Total Unit Width "G" \_\_\_\_\_ Total Unit Height "H" \_\_\_\_\_  
 Copy From Previous Page

### Step 3. Choose Your Swing Configuration

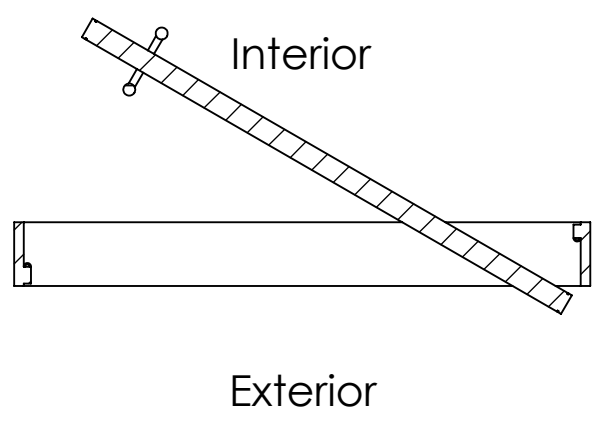
Left Hand Outswing



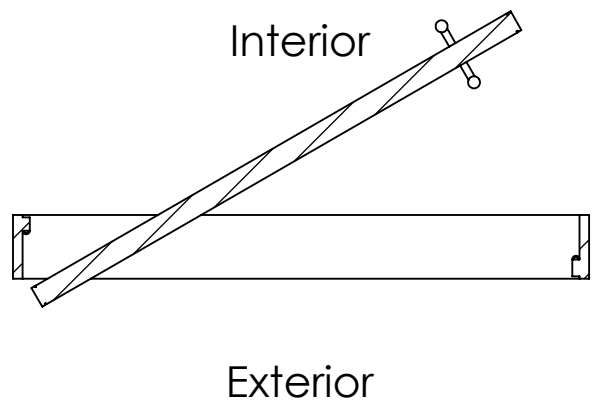
Right Hand Outswing



Right Hand Inswing

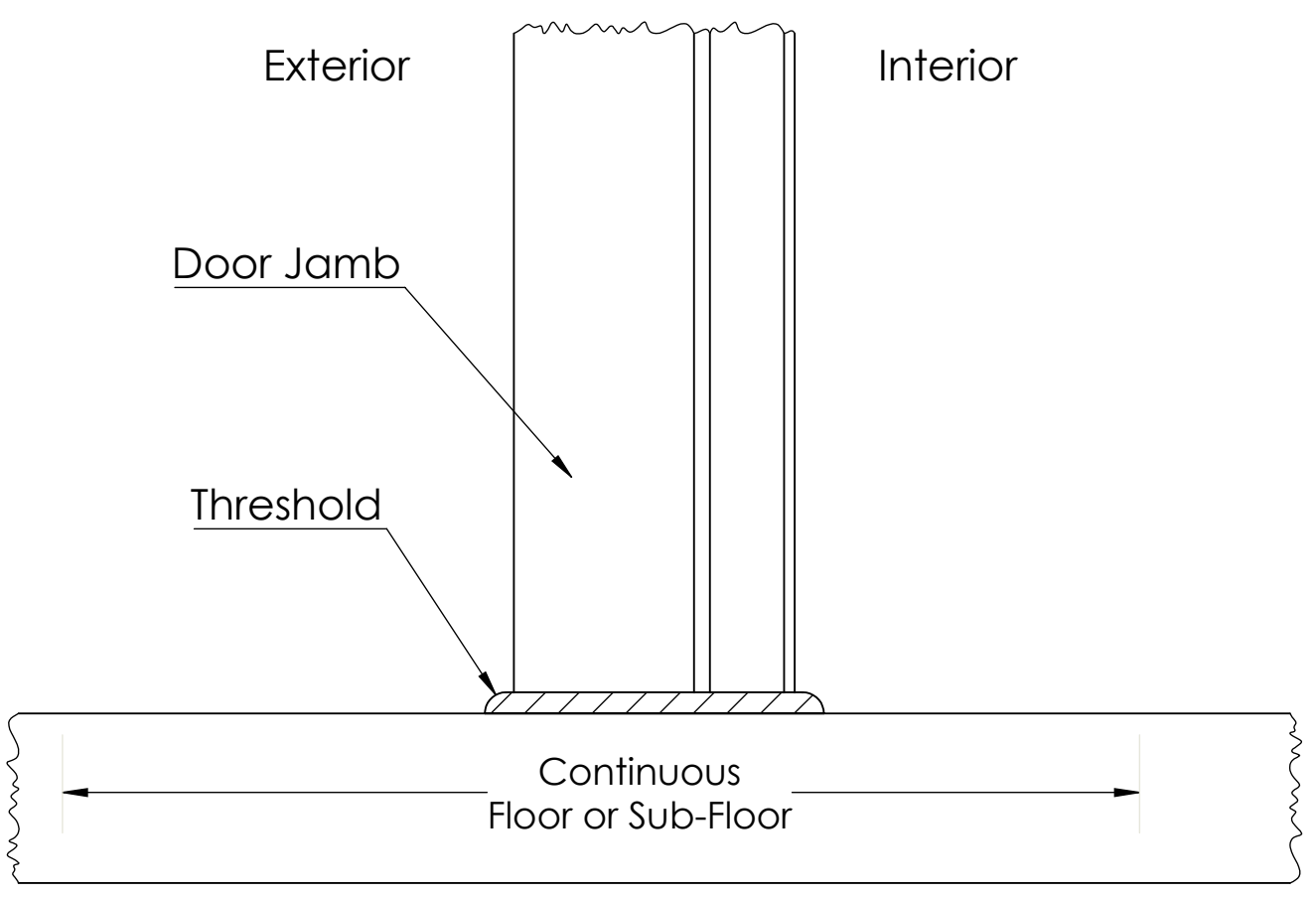


Left Hand Inswing

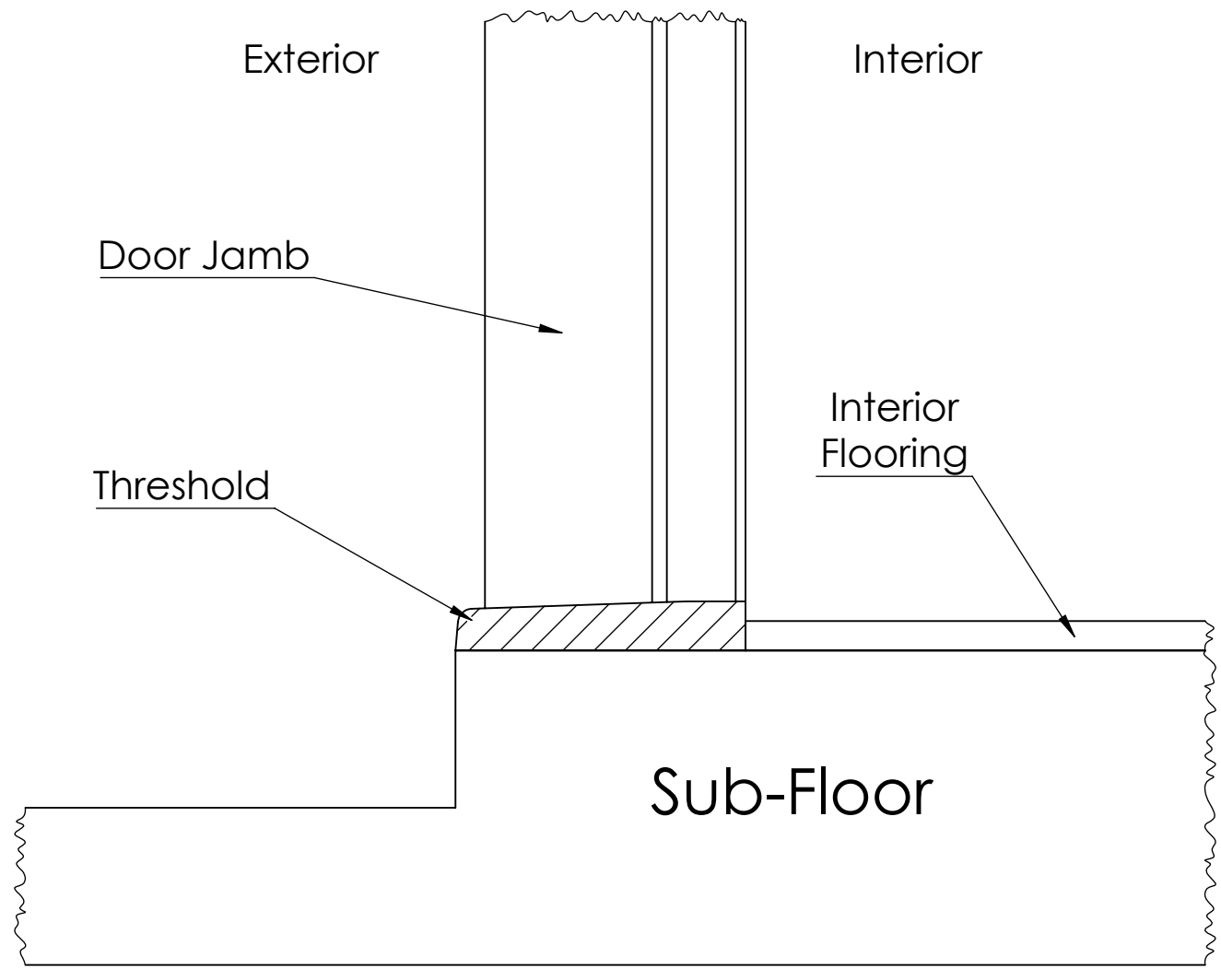


### Step 4. Choose your threshold type

Type 1



Type 2



Type 2

